

**Other materials required:** Heat'n Bond Lite iron on fusible or comparable  
 Pellon 806 Tear Away stabilizer or comparable

**Supplied – Sewing Machine Fabric only**

### Appliqués

Cut your chosen (any color or print) background fabric to 13" x 13". Print out your templates, making sure that your printer is set to a scale of 100%; you can use the 1" square on the first template page to check. Trace the templates onto the paper side of the Heat n Bond Lite, leaving enough room to the right of the tracing to add the rest of the template. Trace the registration lines also. Align the tracing with the rest of the machine on the following page, aligning the registration lines. Trace the spool if desired – it is small and tricky. Cut out the traced shapes 0.25" outside each traced line. Place the cut out Heat'n Bond pieces with the glue (shiny) side down onto the wrong side (if there is one) of your appliqué fabrics. Dry press in place. Ensure that the Heat'n Bond is stuck down in all places. Allow it to cool completely. Bend just a corner of paper down towards the paper side and crease it, to check that you will be able to peel it away from the fabric. The paper edge should pop away from the fabric, leaving the glue behind. Flatten out the paper and cut out the shape on the traced line. Peel the paper from the fabric, using the spot where you creased the paper as your starting point.

Place the appliqué pieces in position, glue side down on to your background. Make sure that the sewing machine piece is centered on your background, with the bottom parallel to the background bottom edge. Follow the layout diagram for placement of fabric pieces - you should place the fabrics pieces down in alphabetical order. DO NOT PRESS until you are happy with the layout. Press the pieces carefully in position. Make sure that all areas are adhered.

Cut a piece of Pellon 806 Tear Away Stabilizer large enough to cover the entire appliqué design and pin it in place around the edge, keeping your pins well away from your stitching areas. Using your desired stitch(es,) stitch the fabric pieces in place.

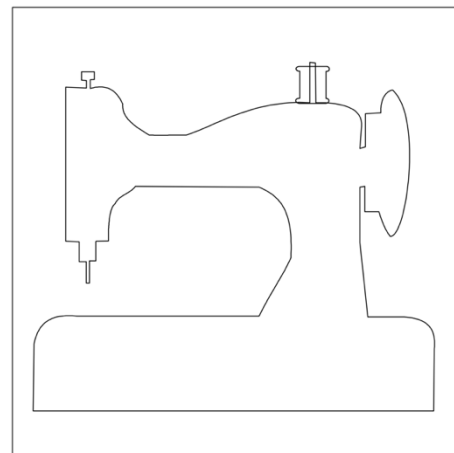
Carefully remove the stabilizer and make sure you clip all loose threads from the back of the piece – dark thread ends can show through light fabric! Note: If you have used a satin stitch, you can tear the stabilizer. If you have used a more open stitch, carefully cut the excess stabilizer away.

Please DO NOT trim your finished block.

Fabric Piece	Identifier List
Background	Background 13" square
A	Sewing Machine
B	Thread Spool (Optional)



**Block Layout**




Once you have appliquéd your fabric pieces, carefully remove the excess stabilizer. Please DO NOT trim your finished block.

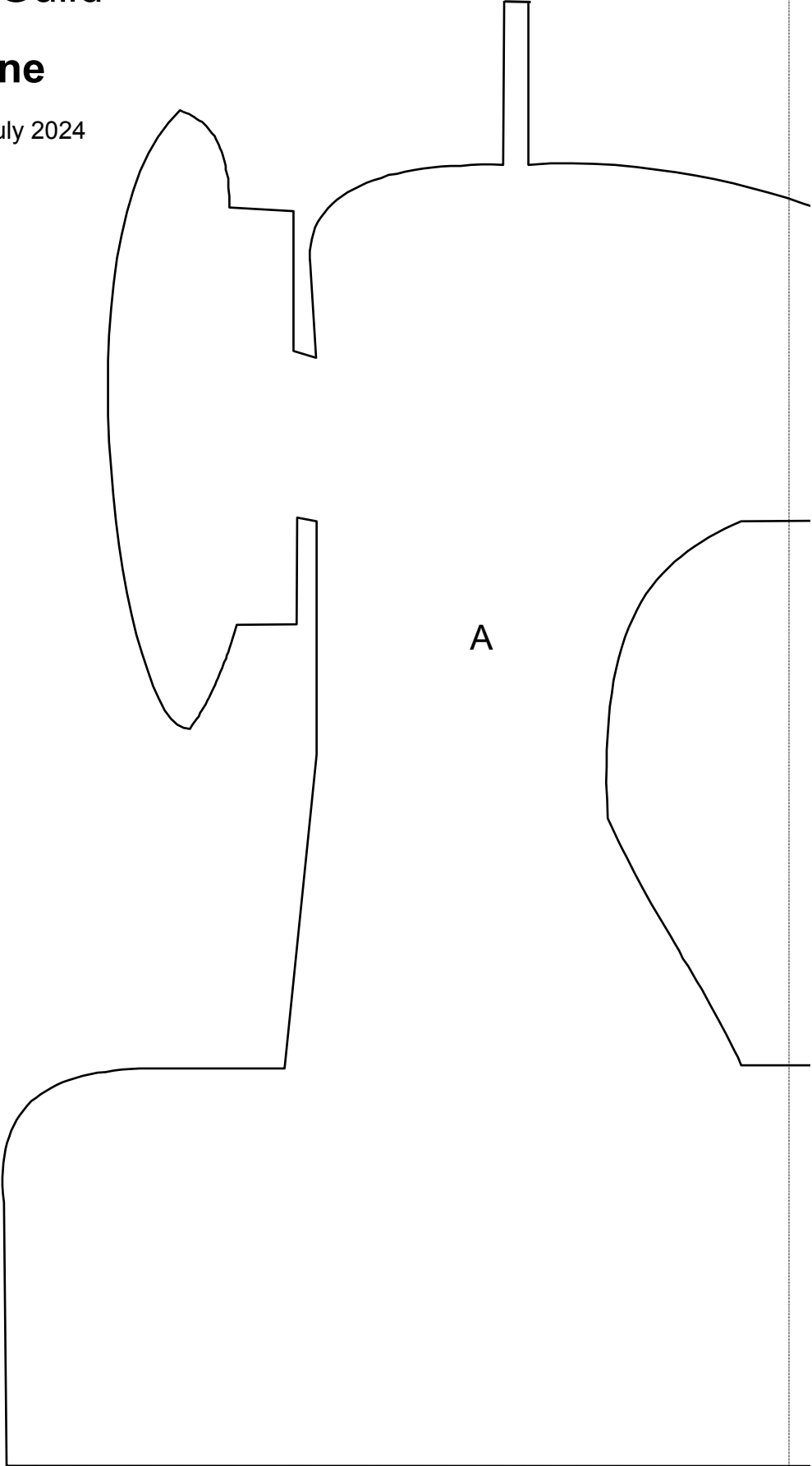
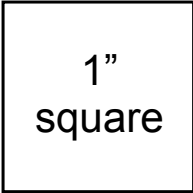
### Sewing Machine

# Capital Quilter's Guild

## Sewing Machine

Appliqué Challenge Block - July 2024

Registration Line 



Registration Line

